

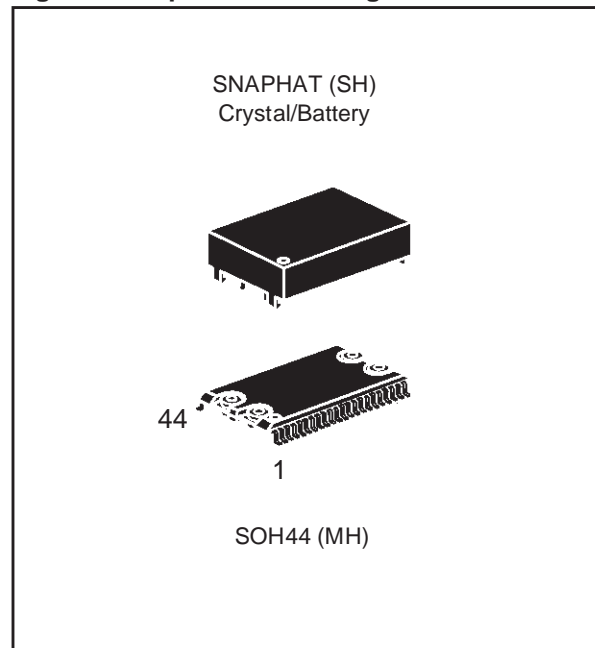


**5.0 or 3.3V TIMEKEEPER<sup>®</sup> SUPERVISOR**

**FEATURES SUMMARY**

- CONVERTS LOW POWER SRAM INTO NVRAMs
- YEAR 2000 COMPLIANT
- BATTERY LOW FLAG
- INTEGRATED REAL TIME CLOCK, POWER-FAIL CONTROL CIRCUIT, BATTERY and CRYSTAL
- WATCHDOG TIMER
- CHOICE OF WRITE PROTECT VOLTAGES ( $V_{PFD}$  = Power-fail Deselect Voltage):
  - M48T201Y:  $V_{CC} = 4.5$  to  $5.5V$   
 $4.1V \leq V_{PFD} \leq 4.5V$
  - M48T201V:  $V_{CC} = 3.0$  to  $3.6V$   
 $2.7V \leq V_{PFD} \leq 3.0V$
- MICROPROCESSOR POWER-ON RESET (Valid even during battery back-up mode)
- PROGRAMMABLE ALARM OUTPUT ACTIVE IN THE BATTERY BACKED-UP MODE
- PACKAGING INCLUDES A 44-LEAD SOIC and SNAPHAT<sup>®</sup> TOP (to be ordered separately)
- SOIC PACKAGE PROVIDES DIRECT CONNECTION FOR A SNAPHAT<sup>®</sup> TOP WHICH CONTAINS THE BATTERY and CRYSTAL

**Figure 1. 44-pin SOIC Package**



**TABLE OF CONTENTS**

**DESCRIPTION . . . . . 4**

- Logic Diagram (Figure 2.) . . . . . 4
- Signal Names (Table 1.) . . . . . 4
- SOIC Connections (Figure 3.) . . . . . 5
- Hardware Hookup (Figure 4.) . . . . . 6

**MAXIMUM RATING. . . . . 7**

- Absolute Maximum Ratings (Table 2.) . . . . . 7

**DC AND AC PARAMETERS. . . . . 8**

- DC and AC Measurement Conditions (Table 3.) . . . . . 8
- AC Testing Load Circuit (Figure 5.) . . . . . 8
- Capacitance (Table 4.) . . . . . 8
- DC Characteristics (Table 5.) . . . . . 9

**OPERATION . . . . . 10**

- Address Decoding . . . . . 10
- Operating Modes (Table 6.) . . . . . 10
- READ Mode. . . . . 11
- G<sub>CON</sub> Timing When Switching Between RTC and External SRAM (Figure 6.) . . . . . 11
- READ Cycle Timing: RTC and External RAM Control Signals (Figure 7.) . . . . . 12
- READ Mode AC Characteristics (Table 7.) . . . . . 13
- WRITE Mode. . . . . 14
- WRITE Cycle Timing: RTC & External RAM Control Signals (Figure 8.) . . . . . 14
- WRITE Mode AC Characteristics (Table 8.) . . . . . 15
- Data Retention Mode. . . . . 16
- Power Down/Up Mode AC Waveforms (Figure 9.) . . . . . 16
- Power Down/Up Mode AC Characteristics (Table 9.) . . . . . 17

|   |           |
|---|-----------|
| <b>CLOCK OPERATION</b> .....                              | <b>17</b> |
| TIMEKEEPER® Registers. ....                               | 17        |
| Reading the Clock. ....                                   | 17        |
| Setting the Clock. ....                                   | 17        |
| Stopping and Starting the Oscillator. ....                | 17        |
| TIMEKEEPER® Register Map (Table 10.) ....                 | 18        |
| Setting the Alarm Clock. ....                             | 19        |
| Alarm Interrupt Reset Waveforms (Figure 10.) ....         | 19        |
| Alarm Repeat Modes (Table 11.) ....                       | 19        |
| Back-up Mode Alarm Waveforms (Figure 11.) ....            | 20        |
| Watchdog Timer. ....                                      | 20        |
| Square Wave Output. ....                                  | 21        |
| Square Wave Output Frequency (Table 12.) ....             | 21        |
| Power-on Reset. ....                                      | 22        |
| Reset Inputs (RSTIN1 & RSTIN2). ....                      | 22        |
| RSTIN1 and RSTIN2 Timing Waveforms (Figure 12.) ....      | 22        |
| Reset AC Characteristics (Table 13.) ....                 | 22        |
| Calibrating the Clock. ....                               | 23        |
| Battery Low Warning. ....                                 | 24        |
| Initial Power-on Defaults. ....                           | 24        |
| Default Values (Table 14.) ....                           | 24        |
| Crystal Accuracy Across Temperature (Figure 13.) ....     | 25        |
| Calibration Waveform (Figure 14.) ....                    | 25        |
| V <sub>CC</sub> Noise And Negative Going Transients. .... | 26        |
| Supply Voltage Protection (Figure 15.) ....               | 26        |
| <b>PART NUMBERING</b> .....                               | <b>27</b> |
| SNAPHAT® Battery Table (Table 16.) ....                   | 27        |
| <b>PACKAGE MECHANICAL INFORMATION</b> .....               | <b>28</b> |
| <b>REVISION HISTORY</b> .....                             | <b>31</b> |

## M48T201Y, M48T201V

### DESCRIPTION

The M48T201Y/V are self-contained devices that include a real time clock (RTC), programmable alarms, a watchdog timer, and a square wave output which provides control of up to 512K x 8 of external low-power static RAM. Access to all RTC functions and the external RAM is the same as conventional bytewise SRAM. The 16 TIME-KEEPER® registers offer year, month, date, day, hour, minute, second, calibration, alarm, century, watchdog, and square wave output data. Externally attached static RAMs are controlled by the M48T201Y/V via the  $\overline{G}_{CON}$  and  $\overline{E}_{CON}$  signals.

The 44-pin, 330mil SOIC provides sockets with gold plated contacts at both ends for direct connection to a separate SNAPHAT® housing containing the battery and crystal. The unique design allows the SNAPHAT battery package to be

mounted on top of the SOIC package after the completion of the surface mount process.

Insertion of the SNAPHAT housing after reflow prevents potential battery damage due to the high temperatures required for device surface-mounting. The SNAPHAT housing is keyed to prevent reverse insertion. The SOIC and battery packages are shipped separately in plastic anti-static tubes or in Tape & Reel form. For the 44-lead SOIC, the battery/crystal package (e.g., SNAPHAT) part number is "M4Txx-BR12SH" (see Table 16, page 27).

**Caution:** Do not place the SNAPHAT battery/crystal top in conductive foam as this will drain the lithium button-cell battery.

Figure 2. Logic Diagram

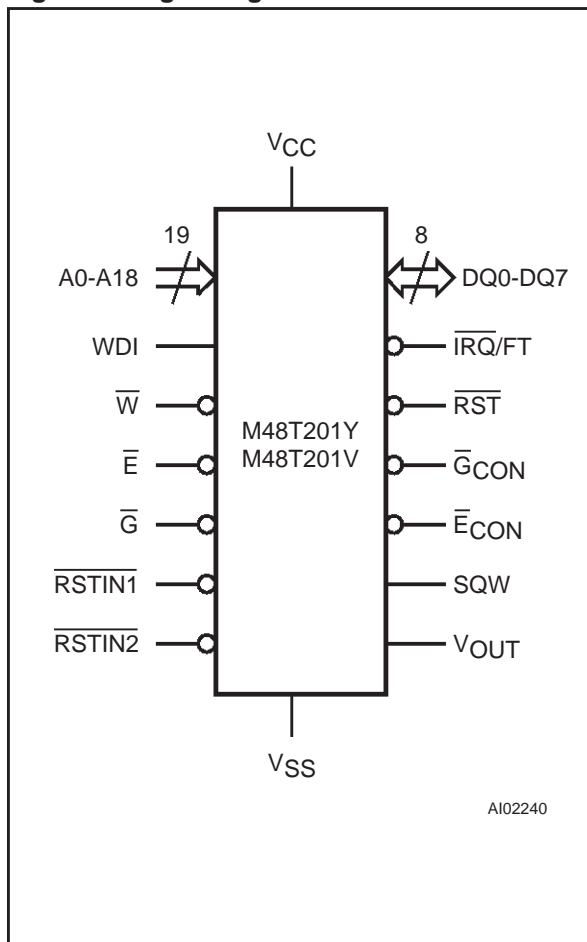


Table 1. Signal Names

|                      |  |
|----------------------|--|
| A0-A18               | Address Inputs                                 |
| DQ0-DQ7              | Data Inputs / Outputs                          |
| $\overline{RSTIN1}$  | Reset 1 Input                                  |
| $\overline{RSTIN2}$  | Reset 2 Input                                  |
| $\overline{RST}$     | Reset Output (Open Drain)                      |
| WDI                  | Watchdog Input                                 |
| $\overline{E}$       | Chip Enable Input                              |
| $\overline{G}$       | Output Enable Input                            |
| $\overline{W}$       | WRITE Enable Input                             |
| $\overline{E}_{CON}$ | RAM Chip Enable Output                         |
| $\overline{G}_{CON}$ | RAM Enable Output                              |
| $\overline{IRQ/FT}$  | Interrupt / Frequency Test Output (Open Drain) |
| SQW                  | Square Wave Output                             |
| VOUT                 | Supply Voltage Output                          |
| VCC                  | Supply Voltage                                 |
| VSS                  | Ground   |
| NC                   | Not Connected Internally                       |

Figure 3. SOIC Connections

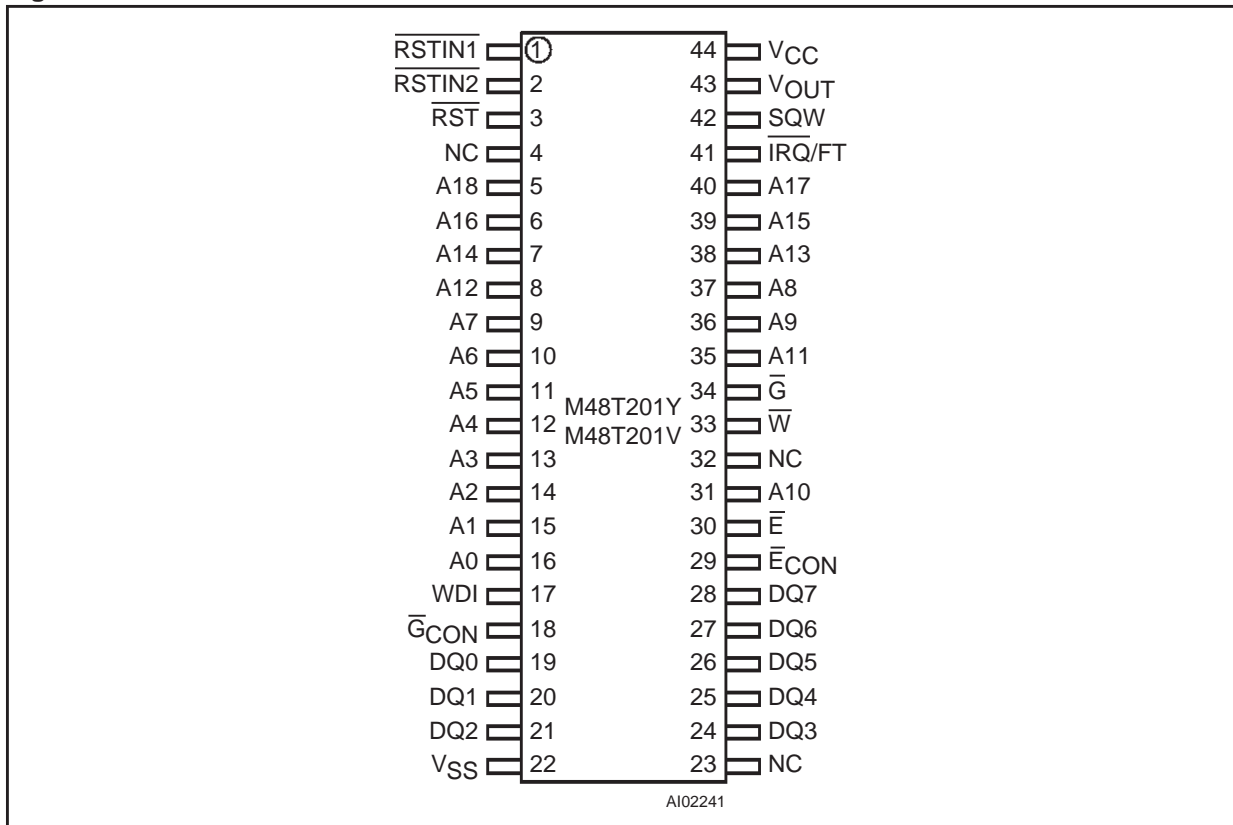
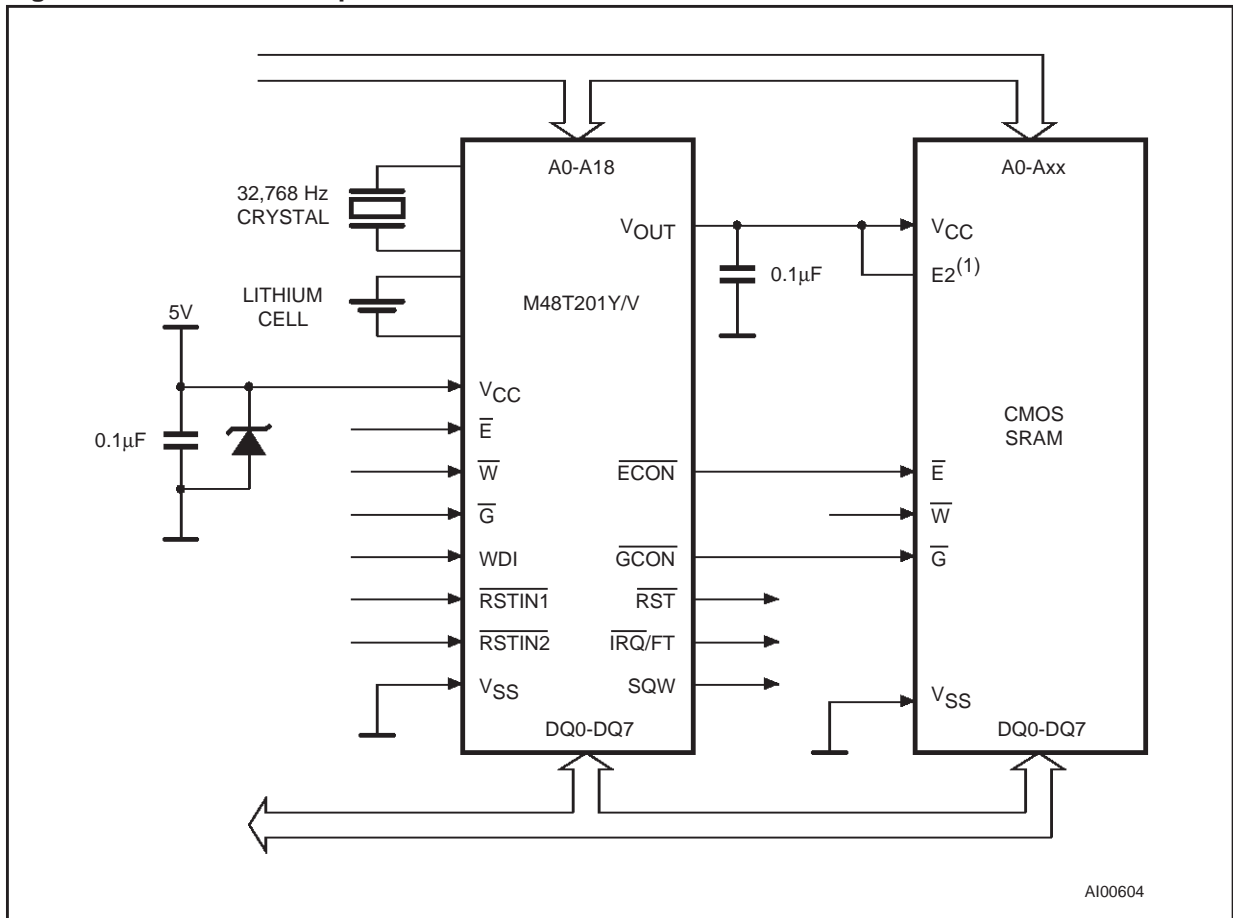


Figure 4. Hardware Hookup



Note: 1. If the second chip enable pin (E2) is unused, it should be tied to V<sub>OUT</sub>.

**MAXIMUM RATING**

Stressing the device above the rating listed in the “Absolute Maximum Ratings” table may cause permanent damage to the device. These are stress ratings only and operation of the device at these or any other conditions above those indicated in the Operating sections of this specification is

not implied. Exposure to Absolute Maximum Rating conditions for extended periods may affect device reliability. Refer also to the STMicroelectronics SURE Program and other relevant quality documents.

**Table 2. Absolute Maximum Ratings**

| Symbol                          | Parameter                              |          | Value                         | Unit |
|---------------------------------|--|----------|-------------------------------|------|
| T <sub>A</sub>                  | Ambient Operating Temperature          | Grade 1  | 0 to 70                       | °C   |
|                                 |  | Grade 6  | –40 to 85                     | °C   |
| T <sub>STG</sub>                | Storage Temperature                    | SNAPHAT® | –40 to 85                     | °C   |
|                                 |  | SOIC     | –55 to 125                    | °C   |
| T <sub>SLD</sub> <sup>(1)</sup> | Lead Solder Temperature for 10 seconds |          | 260                           | °C   |
| V <sub>IO</sub>                 | Input or Output Voltage                |          | –0.3 to V <sub>CC</sub> + 0.3 | V    |
| V <sub>CC</sub>                 | Supply Voltage                         | M48T201Y | –0.3 to 7.0                   | V    |
|                                 |  | M48T201V | –0.3 to 4.6                   | V    |
| I <sub>O</sub> <sup>(2)</sup>   | Output Current                         |          | 20                            | mA   |
| P <sub>D</sub>                  | Power Dissipation                      |          | 1                             | W    |

Note: 1. Reflow at peak temperature of 215°C to 225°C for < 60 seconds (total thermal budget not to exceed 180°C for between 90 to 120 seconds).

**CAUTION:** Negative undershoots below –0.3V are not allowed on any pin while in the Battery Back-up mode.

**CAUTION:** Do NOT wave solder SOIC to avoid damaging SNAPHAT sockets.

## M48T201Y, M48T201V

### DC AND AC PARAMETERS

This section summarizes the operating and measurement conditions, as well as the DC and AC characteristics of the device. The parameters in the following DC and AC Characteristic tables are derived from tests performed under the Measure-

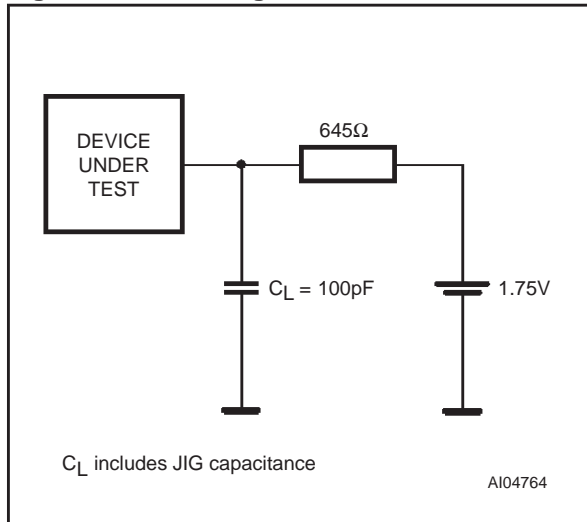
ment Conditions listed in the relevant tables. Designers should check that the operating conditions in their projects match the measurement conditions when using the quoted parameters.

**Table 3. DC and AC Measurement Conditions**

| Parameter                             | M48T201Y   | M48T201V   | Unit |
|---------------------------------------|------------|------------|------|
| V <sub>CC</sub> Supply Voltage        | 4.5 to 5.5 | 3.0 to 3.6 | V    |
| Ambient Operating Temperature         | Grade 1    | 0 to 70    | °C   |
|                                       | Grade 6    | -40 to 85  | °C   |
| Load Capacitance (C <sub>L</sub> )    | 100        | 50         | pF   |
| Input Rise and Fall Times             | ≤ 5        | ≤ 5        | ns   |
| Input Pulse Voltages                  | 0 to 3     | 0 to 3     | V    |
| Input and Output Timing Ref. Voltages | 1.5        | 1.5        | V    |

Note: Output High Z is defined as the point where data is no longer driven.

**Figure 5. AC Testing Load Circuit**



Notes: Excluding open-drain output pin; 50pF for M48T201V.

**Table 4. Capacitance**

| Symbol                          | Parameter <sup>(1,2)</sup> | Min | Max | Unit |
|---------------------------------|----------------------------|-----|-----|------|
| C <sub>IN</sub>                 | Input Capacitance          |     | 10  | pF   |
| C <sub>OUT</sub> <sup>(3)</sup> | Input/Output Capacitance   |     | 10  | pF   |

Note: 1. Effective capacitance measured with power supply at 5V; sampled only, not 100% tested.

2. At 25°C; f = 1MHz.

3. Outputs deselected.



Table 5. DC Characteristics

| Sym                              | Parameter   | Test Condition <sup>(1)</sup>                 | M48T201Y |      |                          | M48T201V |                              |                          | Unit |
|----------------------------------|---|---|----------|------|--------------------------|----------|------------------------------|--------------------------|------|
|                                  |   |   | -70      |      |                          | -85      |                              |                          |      |
|                                  |   |   | Min      | Typ  | Max                      | Min      | Typ                          | Max                      |      |
| I <sub>LI</sub>                  | Input Leakage Current                             | 0V ≤ V <sub>IN</sub> ≤ V <sub>CC</sub>        |          |      | ±1                       |          |                              | ±1                       | μA   |
| I <sub>LO</sub> <sup>(2)</sup>   | Output Leakage Current                            | 0V ≤ V <sub>OUT</sub> ≤ V <sub>CC</sub>       |          |      | ±1                       |          |                              | ±1                       | μA   |
| I <sub>CC</sub>                  | Supply Current                                    | Outputs open                                  |          | 8    | 15                       |          | 4                            | 10                       | mA   |
| I <sub>CC1</sub>                 | Supply Current (Standby)<br>TTL                   | $\bar{E} = V_{IH}$                            |          |      | 5                        |          |                              | 3                        | mA   |
| I <sub>CC2</sub>                 | Supply Current (Standby)<br>CMOS                  | $\bar{E} = V_{CC} - 0.2$                      |          |      | 3                        |          |                              | 2                        | mA   |
| I <sub>BAT</sub>                 | Battery Current OSC ON                            |   |          | 575  | 800                      |          | 575                          | 800                      | nA   |
|                                  | Battery Current OSC<br>ON <sup>(7)</sup>          |   |          | 975  | 1125                     |          | 975                          | 1125                     | nA   |
|                                  | Battery Current OSC<br>OFF                        |   |          |      | 100                      |          |                              | 100                      | nA   |
| V <sub>IL</sub>                  | Input Low Voltage                                 |   | -0.3     |      | 0.8                      | -0.3     |                              | 0.8                      | V    |
| V <sub>IH</sub>                  | Input High Voltage                                |   | 2.2      |      | V <sub>CC</sub> +<br>0.3 | 2.0      |                              | V <sub>CC</sub> +<br>0.3 | V    |
| V <sub>OL</sub>                  | Output Low Voltage                                | I <sub>OL</sub> = 2.1mA                       |          |      | 0.4                      |          |                              | 0.4                      | V    |
|                                  | Output Low Voltage<br>(open drain) <sup>(4)</sup> | I <sub>OL</sub> = 10mA                        |          |      | 0.4                      |          |                              | 0.4                      | V    |
| V <sub>OH</sub>                  | Output High Voltage                               | I <sub>OH</sub> = -1.0mA                      | 2.4      |      |                          | 2.4      |                              |                          | V    |
| V <sub>OHB</sub> <sup>(5)</sup>  | V <sub>OH</sub> Battery Back-up                   | I <sub>OUT2</sub> = -1.0μA                    | 2.0      |      | 3.6                      | 2.0      |                              | 3.6                      | V    |
| I <sub>OUT1</sub> <sup>(6)</sup> | V <sub>OUT</sub> Current (Active)                 | V <sub>OUT1</sub> > V <sub>CC</sub> - 0.3     |          |      | 100                      |          |                              | 70                       | mA   |
| I <sub>OUT2</sub>                | V <sub>OUT</sub> Current (Battery<br>Back-up)     | V <sub>OUT2</sub> > V <sub>BAT</sub> -<br>0.3 |          |      | 100                      |          |                              | 100                      | μA   |
| V <sub>PPFD</sub>                | Power-fail Deselect<br>Voltage                    |   | 4.1      | 4.35 | 4.5                      | 2.7      | 2.9                          | 3.0                      | V    |
| V <sub>SO</sub>                  | Battery Back-up<br>Switchover Voltage             |   |          | 3.0  |                          |          | V <sub>PPFD</sub> -<br>100mV |                          | V    |
| V <sub>BAT</sub>                 | Battery Voltage                                   |   |          | 3.0  |                          |          | 3.0                          |                          | V    |

Note: 1. Valid for Ambient Operating Temperature: T<sub>A</sub> = 0 to 70°C or -40 to 85°C; V<sub>CC</sub> = 4.5 to 5.5V or 3.0 to 3.6V (except where noted).

2. Outputs deselected.

3. RSTIN1 and RSTIN2 internally pulled-up to V<sub>CC</sub> through 100KΩ resistor. WDI internally pulled-down to V<sub>SS</sub> through 100KΩ resistor.

4. For IRQ/FT & RST pins (Open Drain).

5. Conditioned outputs ( $\bar{E}_{CON}$  -  $\bar{G}_{CON}$ ) can only sustain CMOS leakage currents in the battery back-up mode. Higher leakage currents will reduce battery life.

6. External SRAM must match TIMEKEEPER SUPERVISOR chip V<sub>CC</sub> specification.

7. I<sub>BAT</sub> (OSC ON) = Industrial Temperature Range - Grade 6 device.

**OPERATION**

Automatic backup and write protection for an external SRAM is provided through  $V_{OUT}$ ,  $\overline{E}_{CON}$ , and  $\overline{G}_{CON}$  pins. (Users are urged to insure that voltage specifications, for both the SUPERVISOR chip and external SRAM chosen, are similar.) The SNAPHAT<sup>®</sup> containing the lithium energy source is used to retain the RTC and RAM data in the absence of  $V_{CC}$  power through the  $V_{OUT}$  pin. The chip enable output to RAM ( $\overline{E}_{CON}$ ) and the output enable output to RAM ( $\overline{G}_{CON}$ ) are controlled during power transients to prevent data corruption. The date is automatically adjusted for months with less than 31 days and corrects for leap years (valid until 2100). The internal watchdog timer provides programmable alarm windows.

The nine clock bytes (7FFFh-7FFF9h and 7FFF1h) are not the actual clock counters, they are memory locations consisting of BiPORT<sup>™</sup> READ/WRITE memory cells within the static RAM array. Clock circuitry updates the clock bytes with current information once per second. The information can be accessed by the user in the same manner as any other location in the static memory array. Byte 7FFF8h is the clock control register. This byte controls user access to the clock information and also stores the clock calibration setting.

Byte 7FFF7h contains the watchdog timer setting. The watchdog timer can generate either a reset or an interrupt, depending on the state of the Watchdog Steering Bit (WDS). Bytes 7FFF6h-7FFF2h include bits that, when programmed, provide for clock alarm functionality. Alarms are activated

when the register content matches the month, date, hours, minutes, and seconds of the clock registers. Byte 7FFF1h contains century information. Byte 7FFF0h contains additional flag information pertaining to the watchdog timer, the alarm condition, the battery status and square wave output operation. 4 bits are included within this register (RS0-RS3) that are used to program the Square Wave Output Frequency (see Table 12, page 21). The M48T201Y/V also has its own Power-Fail Detect circuit. This control circuitry constantly monitors the supply voltage for an out of tolerance condition. When  $V_{CC}$  is out of tolerance, the circuit write protects the TIMEKEEPER<sup>®</sup> register data and external SRAM, providing data security in the midst of unpredictable system operation. As  $V_{CC}$  falls below the Battery Back-up Switchover Voltage ( $V_{SO}$ ), the control circuitry automatically switches to the battery, maintaining data and clock operation until valid power is restored.

**Address Decoding**

The M48T201Y/V accommodates 19 address lines (A0-A18) which allow direct connection of up to 512K bytes of static RAM. Regardless of SRAM density used, timekeeping, watchdog, alarm, century, flag, and control registers are located in the upper RAM locations. All TIMEKEEPER registers reside in the upper RAM locations without conflict by inhibiting the  $\overline{G}_{CON}$  (output enable RAM) signal during clock access. The RAM's physical locations are transparent to the user and the memory map looks continuous from the first clock address to the upper most attached RAM addresses.

**Table 6. Operating Modes**

| Mode     | $V_{CC}$                                   | $\overline{E}$ | $\overline{G}$ | $\overline{W}$ | DQ7-DQ0   | Power           |
|----------|--|----------------|----------------|----------------|-----------|-----------------|
| Deselect | 4.5V to 5.5V<br>or<br>3.0V to 3.6V         | $V_{IH}$       | X              | X              | High-Z    | Standby         |
| WRITE    |  | $V_{IL}$       | X              | $V_{IL}$       | $D_{IN}$  | Active          |
| READ     |  | $V_{IL}$       | $V_{IL}$       | $V_{IH}$       | $D_{OUT}$ | Active          |
| READ     |  | $V_{IL}$       | $V_{IH}$       | $V_{IH}$       | High-Z    | Active          |
| Deselect | $V_{SO}$ to $V_{PFD}$ (min) <sup>(1)</sup> | X              | X              | X              | High-Z    | CMOS Standby    |
| Deselect | $\leq V_{SO}$ <sup>(1)</sup>               | X              | X              | X              | High-Z    | Battery Back-Up |

Note: X =  $V_{IH}$  or  $V_{IL}$ ;  $V_{SO}$  = Battery Back-up Switchover Voltage

1. See Table 9, page 17 for details.



### READ Mode

The M48T201Y/V executes a READ Cycle when  $\overline{W}$  (WRITE Enable) is high and  $\overline{E}$  (Chip Enable) is low. The unique address specified by the address inputs (A0-A18) defines which one of the on-chip TIMEKEEPER® registers or external SRAM locations is to be accessed. When the address presented to the M48T201Y/V is in the range of 7FFFFh-7FFF0h, one of the on-board TIMEKEEPER registers is accessed and valid data will be available to the eight data output drivers within  $t_{AVQV}$  after the address input signal is stable, providing that the  $\overline{E}$  and  $\overline{G}$  access times are also satisfied. If they are not, then data access

must be measured from the latter occurring signal ( $\overline{E}$  or  $\overline{G}$ ) and the limiting parameter is either  $t_{ELQV}$  for  $\overline{E}$  or  $t_{GLQV}$  for  $\overline{G}$  rather than the address access time. When one of the on-chip TIMEKEEPER registers is selected for READ, the  $\overline{G}_{CON}$  signal will remain inactive throughout the READ Cycle.

When the address value presented to the M48T201Y/V is outside the range of TIMEKEEPER registers, an external SRAM location will be selected. In this case the  $\overline{G}$  signal will be passed to the  $\overline{G}_{CON}$  pin, with the specified delay times of  $t_{AOEL}$  or  $t_{OERL}$ .

Figure 6.  $\overline{G}_{CON}$  Timing When Switching Between RTC and External SRAM

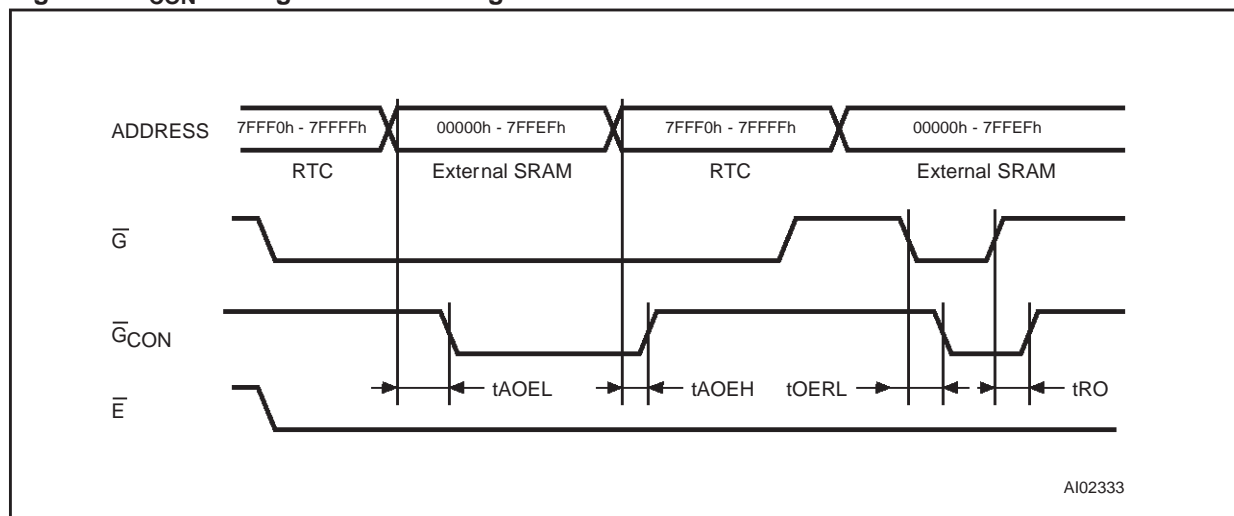


Figure 7. READ Cycle Timing: RTC and External RAM Control Signals

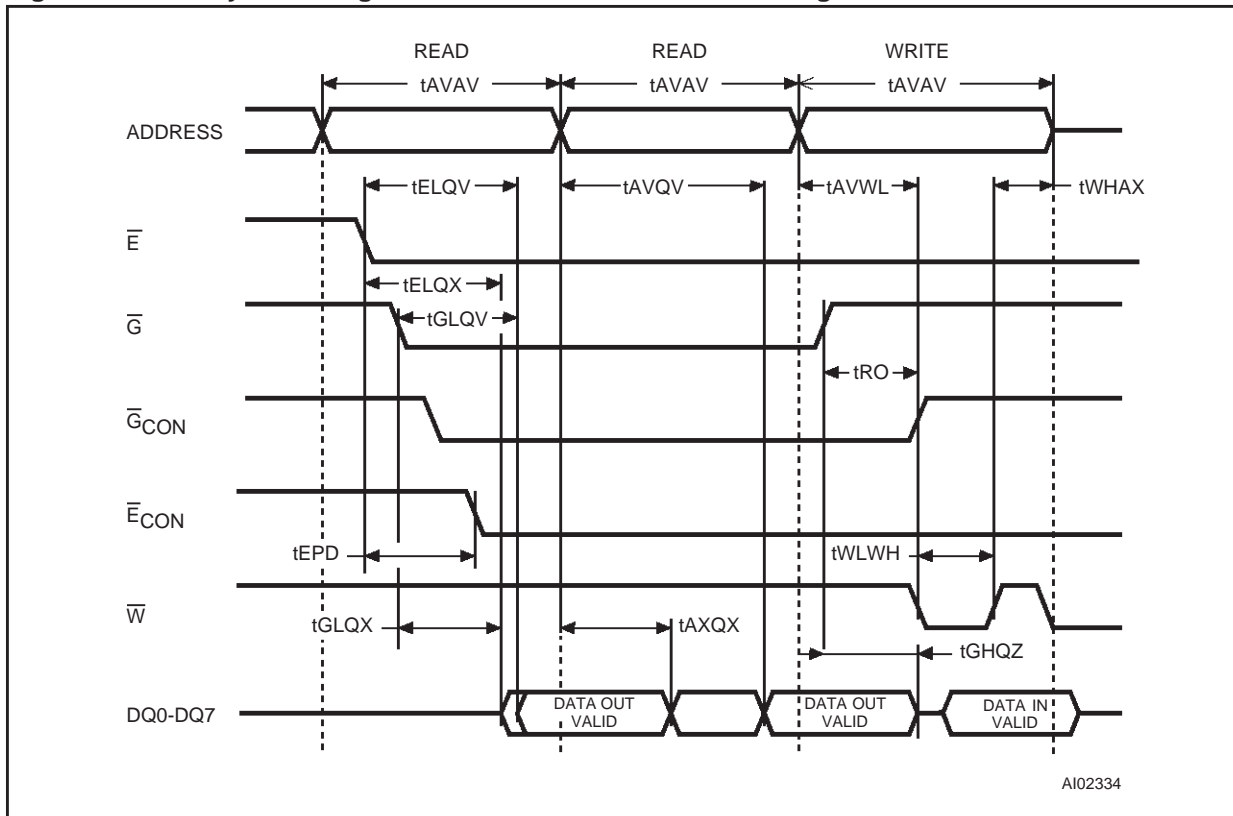


Table 7. READ Mode AC Characteristics

| Symbol                           | Parameter <sup>(1)</sup>                             | M48T201Y |     | M48T201V |     | Unit |
|----------------------------------|--|----------|-----|----------|-----|------|
|                                  |  | -70      |     | -85      |     |      |
|                                  |  | Min      | Max | Min      | Max |      |
| t <sub>AVAV</sub>                | READ Cycle Time                                      | 70       |     | 85       |     | ns   |
| t <sub>AVQV</sub>                | Address Valid to Output Valid                        |          | 70  |          | 85  | ns   |
| t <sub>ELQV</sub>                | Chip Enable Low to Output Valid                      |          | 70  |          | 85  | ns   |
| t <sub>GLQV</sub>                | Output Enable Low to Output Valid                    |          | 25  |          | 35  | ns   |
| t <sub>ELQX</sub> <sup>(2)</sup> | Chip Enable Low to Output Transition                 | 5        |     | 5        |     | ns   |
| t <sub>GLQX</sub> <sup>(2)</sup> | Output Enable Low to Output Transition               | 0        |     | 0        |     | ns   |
| t <sub>EHQZ</sub> <sup>(2)</sup> | Chip Enable High to Output Hi-Z                      |          | 20  |          | 25  | ns   |
| t <sub>GHQZ</sub> <sup>(2)</sup> | Output Enable High to Output Hi-Z                    |          | 20  |          | 25  | ns   |
| t <sub>AXQX</sub>                | Address Transition to Output Transition              | 5        |     | 5        |     | ns   |
| t <sub>AOEL</sub>                | External SRAM Address to $\overline{G}_{CON}$ Low    |          | 20  |          | 30  | ns   |
| t <sub>AOEH</sub>                | SUPERVISOR SRAM Address to $\overline{G}_{CON}$ High |          | 20  |          | 30  | ns   |
| t <sub>EPD</sub>                 | $\overline{E}$ to $\overline{E}_{CON}$ Low or High   |          | 10  |          | 15  | ns   |
| t <sub>OERL</sub>                | $\overline{G}$ Low to $\overline{G}_{CON}$ Low       |          | 15  |          | 20  | ns   |
| t <sub>RO</sub>                  | $\overline{G}$ High to $\overline{G}_{CON}$ High     |          | 10  |          | 15  | ns   |

Note: 1. Valid for Ambient Operating Temperature: T<sub>A</sub> = 0 to 70°C or -40 to 85°C; V<sub>CC</sub> = 4.5 to 5.5V or 3.0 to 3.6V (except where noted).  
2. C<sub>L</sub> = 5pF.

**WRITE Mode**

The M48T201Y/V is in the WRITE Mode whenever  $\overline{W}$  (WRITE Enable) and  $\overline{E}$  (Chip Enable) are low state after the address inputs are stable. The start of a WRITE is referenced from the latter occurring falling edge of  $\overline{W}$  or  $\overline{E}$ . A WRITE is terminated by the earlier rising edge of  $\overline{W}$  or  $\overline{E}$ . The addresses must be held valid throughout the cycle.  $\overline{E}$  or  $\overline{W}$  must return high for a minimum of  $t_{EHAX}$  from Chip Enable or  $t_{WHAX}$  from WRITE Enable prior to the initiation of another READ or WRITE Cycle. Data-in must be valid  $t_{DVWH}$  prior to the end of WRITE and remain valid for  $t_{WHDX}$  afterward.  $\overline{G}$  should be kept high during WRITE Cycles to avoid bus con-

attention; although, if the output bus has been activated by a low on  $\overline{E}$  and  $\overline{G}$  a low on  $\overline{W}$  will disable the outputs  $t_{WLQZ}$  after  $\overline{W}$  falls.

When the address value presented to the M48T201Y/V during the WRITE is in the range of 7FFFh-7FFF0h, one of the on-board TIMEKEEPER® registers will be selected and data will be written into the device. When the address value presented to M48T201Y/V is outside the range of TIMEKEEPER registers, an external SRAM location is selected.

**Figure 8. WRITE Cycle Timing: RTC & External RAM Control Signals**

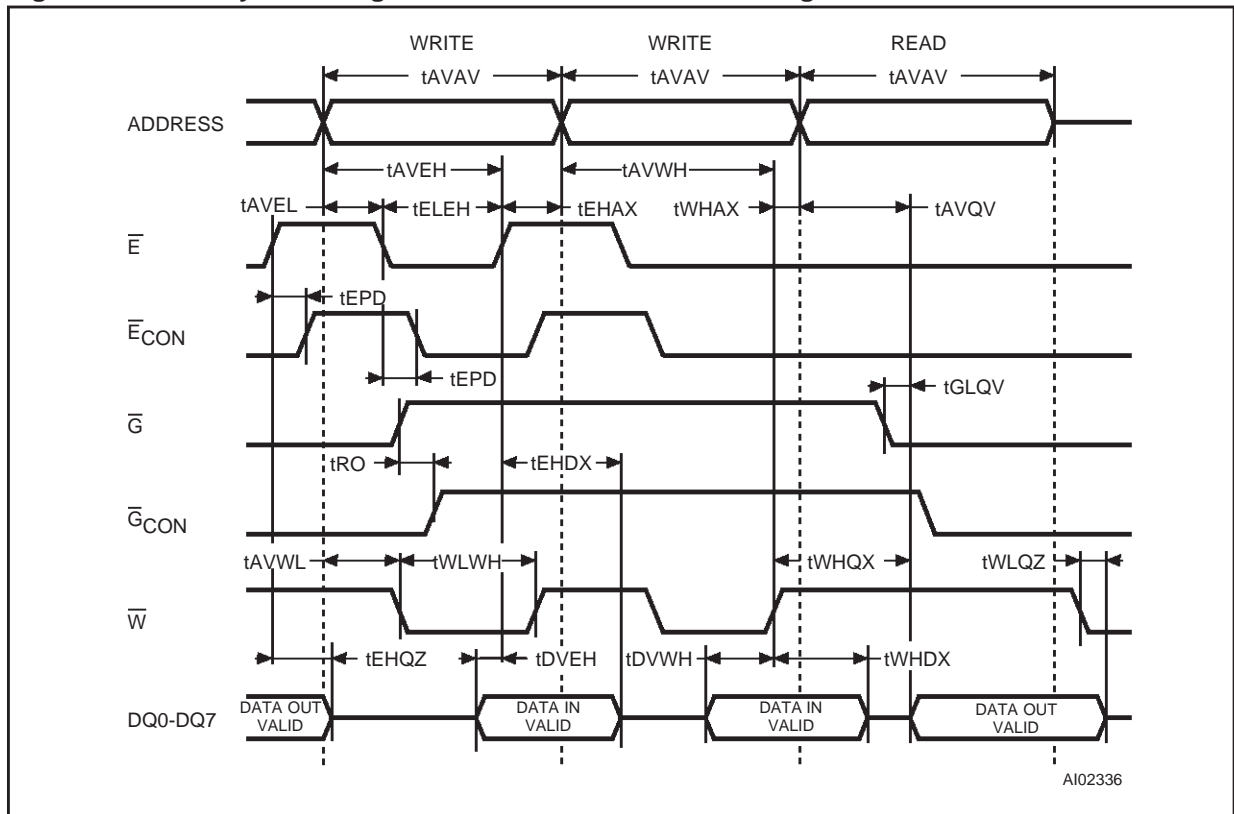


Table 8. WRITE Mode AC Characteristics

| Symbol                             | Parameter <sup>(1)</sup>                | M48T201Y |     | M48T201V |     | Unit |
|------------------------------------|---|----------|-----|----------|-----|------|
|                                    |   | -70      |     | -85      |     |      |
|                                    |   | Min      | Max | Min      | Max |      |
| t <sub>AVAV</sub>                  | WRITE Cycle Time                        | 70       |     | 85       |     | ns   |
| t <sub>AVWL</sub>                  | Address Valid to WRITE Enable Low       | 0        |     | 0        |     | ns   |
| t <sub>AVEL</sub>                  | Address Valid to Chip Enable Low        | 0        |     | 0        |     | ns   |
| t <sub>WLWH</sub>                  | WRITE Enable Pulse Width                | 45       |     | 55       |     | ns   |
| t <sub>LEH</sub>                   | Chip Enable Low to Chip Enable High     | 50       |     | 60       |     | ns   |
| t <sub>WHAX</sub>                  | WRITE Enable High to Address Transition | 0        |     | 0        |     | ns   |
| t <sub>EHAX</sub>                  | Chip Enable High to Address Transition  | 0        |     | 0        |     | ns   |
| t <sub>DVWH</sub>                  | Input Valid to WRITE Enable High        | 25       |     | 30       |     | ns   |
| t <sub>DVEH</sub>                  | Input Valid to Chip Enable High         | 25       |     | 30       |     | ns   |
| t <sub>WHDX</sub>                  | WRITE Enable High to Input Transition   | 0        |     | 0        |     | ns   |
| t <sub>EHDX</sub>                  | Chip Enable High to Input Transition    | 0        |     | 0        |     | ns   |
| t <sub>WLQZ</sub> <sup>(2,3)</sup> | WRITE Enable Low to Output High-Z       |          | 20  |          | 25  | ns   |
| t <sub>AVWH</sub>                  | Address Valid to WRITE Enable High      | 55       |     | 65       |     | ns   |
| t <sub>AVEH</sub>                  | Address Valid to Chip Enable High       | 55       |     | 65       |     | ns   |
| t <sub>WHQX</sub> <sup>(2,3)</sup> | WRITE Enable High to Output Transition  | 5        |     | 5        |     | ns   |

Note: 1. Valid for Ambient Operating Temperature: T<sub>A</sub> = 0 to 70°C or -40 to 85°C; V<sub>CC</sub> = 4.5 to 5.5V or 3.0 to 3.6V (except where noted).

2. C<sub>L</sub> = 5pF

3. If  $\overline{E}$  goes low simultaneously with  $\overline{W}$  going low, the outputs remain in the high impedance state.





Table 9. Power Down/Up Mode AC Characteristics

| Symbol                          | Parameter <sup>(1)</sup>   | Min      | Max | Unit |
|---------------------------------|--|----------|-----|------|
| t <sub>F</sub> <sup>(2)</sup>   | V <sub>PFD</sub> (max) to V <sub>PFD</sub> (min) V <sub>CC</sub> Fall Time | 300      |     | μs   |
| t <sub>FB</sub> <sup>(3)</sup>  | V <sub>PFD</sub> (min) to V <sub>SS</sub> V <sub>CC</sub> Fall Time        | M48T201Y | 10  | μs   |
|                                 |  | M48T201V | 150 | μs   |
| t <sub>R</sub>                  | V <sub>PFD</sub> (min) to V <sub>PFD</sub> (max) V <sub>CC</sub> Rise Time | 10       |     | μs   |
| t <sub>REC</sub> <sup>(4)</sup> | V <sub>PFD</sub> (max) to $\overline{\text{RST}}$ High                     | 40       | 200 | ms   |
| t <sub>RB</sub>                 | V <sub>SS</sub> to V <sub>PFD</sub> (min) V <sub>CC</sub> Rise Time        | 5        |     | μs   |

Note: 1. Valid for Ambient Operating Temperature: T<sub>A</sub> = 0 to 70°C or -40 to 85°C; V<sub>CC</sub> = 4.5 to 5.5V or 3.0 to 3.6V (except where noted).  
 2. V<sub>PFD</sub> (max) to V<sub>PFD</sub> (min) fall time of less than t<sub>F</sub> may result in deselection/write protection not occurring until 200μs after V<sub>CC</sub> passes V<sub>PFD</sub> (min).  
 3. V<sub>PFD</sub> (min) to V<sub>SS</sub> fall time of less than t<sub>FB</sub> may cause corruption of RAM data.  
 4. t<sub>REC</sub> (min) = 20ms for industrial temperature Grade 6 device.

## CLOCK OPERATION

### TIMEKEEPER<sup>®</sup> Registers

The M48T201Y/V offers 16 internal registers which contain TIMEKEEPER<sup>®</sup>, Alarm, Watchdog, Flag, and Control data (see Table 10, page 18). These registers are memory locations which contain external (user accessible) and internal copies of the data (usually referred to as BiPORT™ TIMEKEEPER cells). The external copies are independent of internal functions except that they are updated periodically by the simultaneous transfer of the incremented internal copy. TIMEKEEPER and Alarm Registers store data in BCD. Control, Watchdog and Flags (Bits D0 to D3) Registers store data in Binary Format.

### Reading the Clock

Updates to the TIMEKEEPER registers should be halted before clock data is read to prevent reading data in transition. The BiPORT TIMEKEEPER cells in the RAM array are only data registers and not the actual clock counters, so updating the registers can be halted without disturbing the clock itself.

Updating is halted when a '1' is written to the READ Bit, D6 in the Control Register (7FFF8h). As long as a '1' remains in that position, updating is halted. After a halt is issued, the registers reflect the count; that is, the day, date, and time that were current at the moment the halt command was issued.

All of the TIMEKEEPER registers are updated simultaneously. A halt will not interrupt an update in

progress. Updating occurs approximately 1 second after the READ Bit is reset to a '0.'

### Setting the Clock

Bit D7 of the Control Register (7FFF8h) is the WRITE Bit. Setting the WRITE Bit to a '1,' like the READ Bit, halts updates to the TIMEKEEPER registers. The user can then load them with the correct day, date, and time data in 24-hour BCD format (see Table 10, page 18).

Resetting the WRITE Bit to a '0' then transfers the values of all time registers (7FFFh-7FFF9h, 7FFF1h) to the actual TIMEKEEPER counters and allows normal operation to resume. After the WRITE Bit is reset, the next clock update will occur approximately one second later.

**Note:** Upon power-up following a power failure, both the WRITE Bit and the READ Bit will be reset to '0.'

### Stopping and Starting the Oscillator

The oscillator may be stopped at any time. If the device is going to spend a significant amount of time on the shelf, the oscillator can be turned off to minimize current drain on the battery. The STOP Bit is located at Bit D7 within the Seconds Register (7FFF9h). Setting it to a '1' stops the oscillator. When reset to a '0,' the M48T201Y/V oscillator starts within one second.

**Note:** It is not necessary to set the WRITE Bit when setting or resetting the FREQUENCY TEST Bit (FT) or the STOP Bit (ST).

Table 10. TIMEKEEPER® Register Map

| Address | Data       |                  |              |             |                        |      |     |     | Function/Range<br>BCD Format |       |
|---------|------------|------------------|--------------|-------------|------------------------|------|-----|-----|------------------------------|-------|
|         | D7         | D6               | D5           | D4          | D3                     | D2   | D1  | D0  |                              |       |
| 7FFFh   | 10 Years   |                  |              |             | Year                   |      |     |     | Year                         | 00-99 |
| 7FFEh   | 0          | 0                | 0            | 10 M        | Month                  |      |     |     | Month                        | 01-12 |
| 7FFDh   | 0          | 0                | 10 Date      |             | Date: Day of Month     |      |     |     | Date                         | 01-31 |
| 7FFCh   | 0          | FT               | 0            | 0           | 0                      | Day  |     |     | Day                          | 01-07 |
| 7FFBh   | 0          | 0                | 10 Hours     |             | Hours (24 Hour Format) |      |     |     | Hours                        | 00-23 |
| 7FFAh   | 0          | 10 Minutes       |              |             | Minutes                |      |     |     | Minutes                      | 00-59 |
| 7FF9h   | ST         | 10 Seconds       |              |             | Seconds                |      |     |     | Seconds                      | 00-59 |
| 7FF8h   | W          | R                | S            | Calibration |                        |      |     |     | Control                      |       |
| 7FF7h   | WDS        | BMB4             | BMB3         | BMB2        | BMB1                   | BMB0 | RB1 | RB0 | Watchdog                     |       |
| 7FF6h   | AFE        | SQWE             | ABE          | Al.10M      | Alarm Month            |      |     |     | Al. Month                    | 01-12 |
| 7FF5h   | RPT4       | RPT5             | Al. 10 Date  |             | Alarm Date             |      |     |     | Al. Date                     | 01-31 |
| 7FF4h   | RPT3       | 0                | Al. 10 Hours |             | Alarm Hours            |      |     |     | Al. Hours                    | 00-23 |
| 7FF3h   | RPT2       | Alarm 10 Minutes |              |             | Alarm Minutes          |      |     |     | Al. Minutes                  | 00-59 |
| 7FF2h   | RPT1       | Alarm 10 Seconds |              |             | Alarm Seconds          |      |     |     | Al. Seconds                  | 00-59 |
| 7FF1h   | 1000 Years |                  |              |             | 100 Years              |      |     |     | Century                      | 00-99 |
| 7FF0h   | WDF        | AF               | 0            | BL          | RS3                    | RS2  | RS1 | RS0 | Flags                        |       |

Keys: S = Sign Bit

FT = Frequency Test Bit

R = READ Bit

W = WRITE Bit

ST = Stop Bit

0 = Must be set to '0'

WDS = Watchdog Steering Bit

AF = Alarm Flag

BL = Battery Low Flag

SQWE = Square Wave Enable Bit

BMB0-BMB4 = Watchdog Multiplier Bits

RB0-RB1 = Watchdog Resolution Bits

AFE = Alarm Flag Enable Flag

ABE = Alarm in Battery Back-Up Mode Enable Bit

RPT1-RPT5 = Alarm Repeat Mode Bits

WDF = Watchdog Flag

RS0-RS3 = SQW Frequency

**Setting the Alarm Clock**

Registers 7FFF6h-7FFF2h contain the alarm settings. The alarm can be configured to go off at a prescribed time on a specific month, day of month, hour, minute, or second or repeat every month, day of month, hour, minute, or second.

It can also be programmed to go off while the M48T201Y/V is in the battery back-up to serve as a system wake-up call.

Bits RPT5-RPT1 put the alarm in the repeat mode of operation. Table 11 shows the possible configurations. Codes not listed in the table default to the once per second mode to quickly alert the user of an incorrect alarm setting.

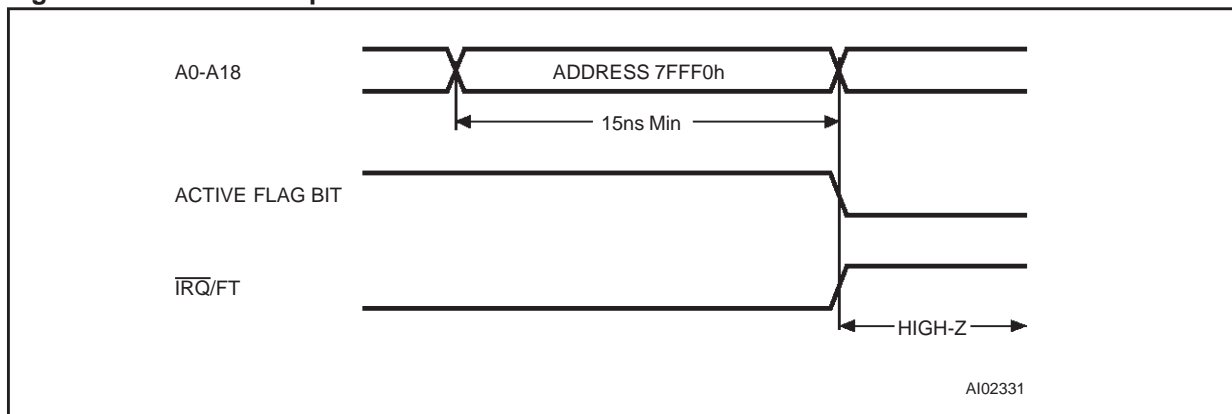
**Note:** User must transition address (or toggle chip enable) to see Flag Bit change.

When the clock information matches the alarm clock settings based on the match criteria defined by RPT5-RPT1, the AF (Alarm Flag) is set. If AFE (Alarm Flag Enable) is also set, the alarm condi-

tion activates the  $\overline{\text{IRQ/FT}}$  pin. To disable alarm, write '0' to the Alarm-Date register and RPT1-5. The  $\overline{\text{IRQ/FT}}$  output is cleared by a READ to the Flags Register as shown in Figure 10. A subsequent READ of the Flags Register is necessary to see that the value of the Alarm Flag has been reset to '0.'

The  $\overline{\text{IRQ/FT}}$  pin can also be activated in the battery back-up mode. The  $\overline{\text{IRQ/FT}}$  will go low if an alarm occurs and both ABE (Alarm in Battery Back-up Mode Enable) and AFE are set. The ABE and AFE Bits are reset during power-up, therefore an alarm generated during power-up will only set AF. The user can read the Flag Register at system boot-up to determine if an alarm was generated while the M48T201Y/V was in the deselect mode during power-up. Figure 11, page 20 illustrates the back-up mode alarm timing.

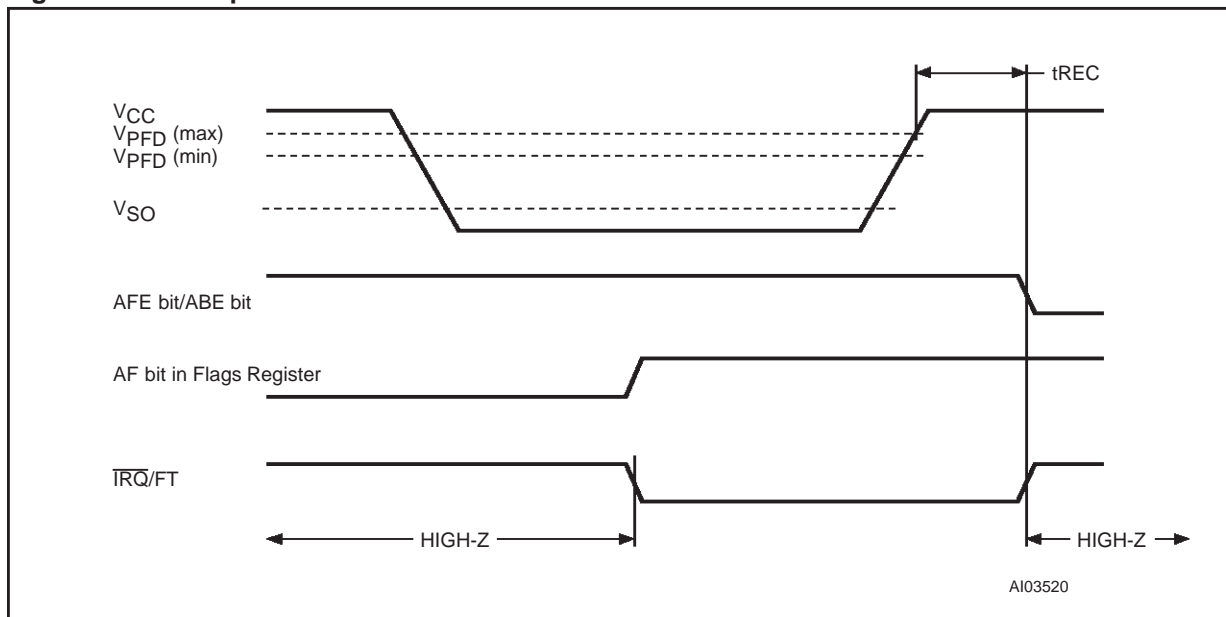
**Figure 10. Alarm Interrupt Reset Waveforms**



**Table 11. Alarm Repeat Modes**

| RPT5 | RPT4 | RPT3 | RPT2 | RPT1 | Alarm Setting   |
|------|------|------|------|------|-----------------|
| 1    | 1    | 1    | 1    | 1    | Once per Second |
| 1    | 1    | 1    | 1    | 0    | Once per Minute |
| 1    | 1    | 1    | 0    | 0    | Once per Hour   |
| 1    | 1    | 0    | 0    | 0    | Once per Day    |
| 1    | 0    | 0    | 0    | 0    | Once per Month  |
| 0    | 0    | 0    | 0    | 0    | Once per Year   |

Figure 11. Back-up Mode Alarm Waveforms



**Watchdog Timer**

The watchdog timer can be used to detect an out-of-control microprocessor. The user programs the watchdog timer by setting the desired amount of time-out into the Watchdog Register, address 7FFF7h. Bits BMB4-BMB0 store a binary multiplier and the two lower order bits RB1-RB0 select the resolution, where 00 = 1/16 second, 01 = 1/4 second, 10 = 1 second, and 11 = 4 seconds. The amount of time-out is then determined to be the multiplication of the five-bit multiplier value with the resolution. (For example: writing 00001110 in the Watchdog Register = 3\*1 or 3 seconds).

**Note:** Accuracy of timer is within ± the selected resolution.

If the processor does not reset the timer within the specified period, the M48T201Y/V sets the WDF (Watchdog Flag) and generates a watchdog interrupt or a microprocessor reset. WDF is reset by reading the Flag Register (Address 7FFF0h).

The most significant bit of the Watchdog Register is the Watchdog Steering Bit (WDS). When set to a '0', the watchdog will activate the IRQ/FT pin when timed-out. When WDS is set to a '1', the watchdog will output a negative pulse on the RST pin for tREC. The Watchdog register and the AFE, SQWE, ABE, and FT Bits will reset to a '0' at the end of a Watchdog time-out when the WDS Bit is set to a '1.'

The watchdog timer can be reset by two methods:

1. a transition (high-to-low or low-to-high) can be applied to the Watchdog Input pin (WDI) or
2. the microprocessor can perform a WRITE of the Watchdog Register.

The time-out period then starts over. The WDI pin should be tied to VSS if not used. The watchdog will be reset on each transition (edge) seen by the WDI pin.

In order to perform a software reset of the watchdog timer, the original time-out period can be written into the Watchdog Register, effectively restarting the count-down cycle.

Should the watchdog timer time-out, and the WDS Bit is programmed to output an interrupt, a value of 00h needs to be written to the Watchdog Register in order to clear the IRQ/FT pin. This will also disable the watchdog function until it is again programmed correctly. A READ of the Flags Register will reset the Watchdog Flag (Bit D7; Register 7FFF0h).

The watchdog function is automatically disabled upon power-down and the Watchdog Register is cleared. If the watchdog function is set to output to the IRQ/FT pin and the frequency test function is activated, the watchdog or alarm function prevails and the frequency test function is denied.

**Note:** The user must transition the address (or toggle chip enable) to see the Flag Bit change.

### Square Wave Output

The M48T201Y/V offers the user a programmable square wave function which is output on the SQW pin. RS3-RS0 Bits located in 7FFF0h establish the square wave output frequency. These frequencies are listed in Table 12. Once the selection of the

SQW frequency has been completed, the SQW pin can be turned on and off under software control with the Square Wave Enable Bit (SQWE) located in Register 7FFF6h.

**Table 12. Square Wave Output Frequency**

| Square Wave Bits |     |     |     | Square Wave |       |
|------------------|-----|-----|-----|-------------|-------|
| RS3              | RS2 | RS1 | RS0 | Frequency   | Units |
| 0                | 0   | 0   | 0   | Hi-Z        | -     |
| 0                | 0   | 0   | 1   | 32.768      | kHz   |
| 0                | 0   | 1   | 0   | 8.192       | kHz   |
| 0                | 0   | 1   | 1   | 4.096       | kHz   |
| 0                | 1   | 0   | 0   | 2.048       | kHz   |
| 0                | 1   | 0   | 1   | 1.024       | kHz   |
| 0                | 1   | 1   | 0   | 512         | Hz    |
| 0                | 1   | 1   | 1   | 256         | Hz    |
| 1                | 0   | 0   | 0   | 128         | Hz    |
| 1                | 0   | 0   | 1   | 64          | Hz    |
| 1                | 0   | 1   | 0   | 32          | Hz    |
| 1                | 0   | 1   | 1   | 16          | Hz    |
| 1                | 1   | 0   | 0   | 8           | Hz    |
| 1                | 1   | 0   | 1   | 4           | Hz    |
| 1                | 1   | 1   | 0   | 2           | Hz    |
| 1                | 1   | 1   | 1   | 1           | Hz    |

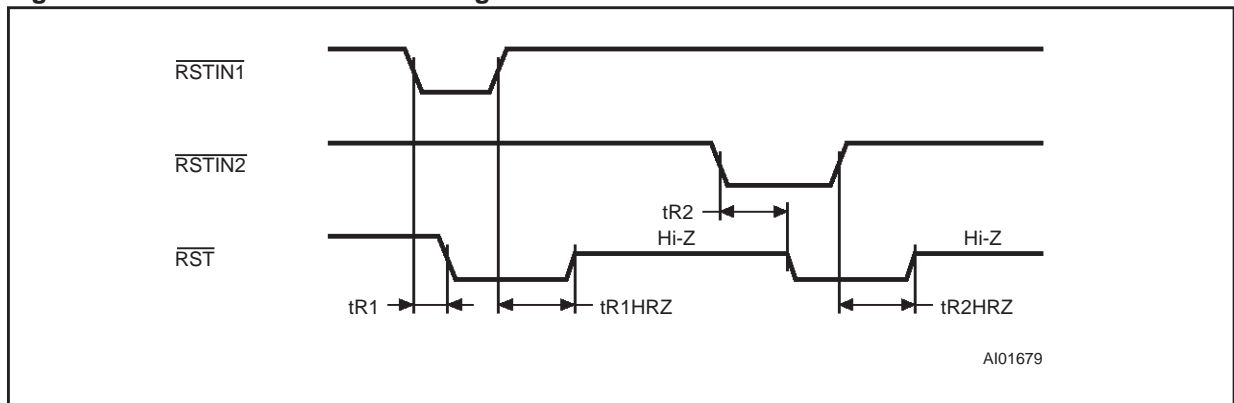
**Power-on Reset**

The M48T201Y/V continuously monitors  $V_{CC}$ . When  $V_{CC}$  falls to the power fail detect trip point, the  $\overline{RST}$  pulls low (open drain) and remains low on power-up for  $t_{REC}$  after  $V_{CC}$  passes  $V_{PFD}$  (max). The  $\overline{RST}$  pin is an open drain output and an appropriate pull-up resistor to  $V_{CC}$  should be chosen to control rise time.

**Reset Inputs ( $\overline{RSTIN1}$  &  $\overline{RSTIN2}$ )**

The M48T201Y/V provides two independent inputs which can generate an output reset. The duration and function of these resets is identical to a reset generated by a power cycle. Figure 12 and Table 13 illustrate the AC reset characteristics of this function. Pulses shorter than  $t_{R1}$  and  $t_{R2}$  will not generate a reset condition.  $\overline{RSTIN1}$  and  $\overline{RSTIN2}$  are each internally pulled up to  $V_{CC}$  through a 100K $\Omega$  resistor.

**Figure 12.  $\overline{RSTIN1}$  and  $\overline{RSTIN2}$  Timing Waveforms**



**Table 13. Reset AC Characteristics**

| Symbol              | Parameter <sup>(1)</sup>                          | Min | Max | Unit |
|---------------------|---|-----|-----|------|
| $t_{R1}$            | $\overline{RSTIN1}$ Low to $\overline{RST}$ Low   | 50  | 200 | ns   |
| $t_{R2}$            | $\overline{RSTIN2}$ Low to $\overline{RST}$ Low   | 20  | 100 | ms   |
| $t_{R1HRZ}^{(2,3)}$ | $\overline{RSTIN1}$ High to $\overline{RST}$ Hi-Z | 40  | 200 | ms   |
| $t_{R2HRZ}^{(2,3)}$ | $\overline{RSTIN2}$ High to $\overline{RST}$ Hi-Z | 40  | 200 | ms   |

Note: 1. Valid for Ambient Operating Temperature:  $T_A = 0$  to  $70^\circ\text{C}$  or  $-40$  to  $85^\circ\text{C}$ ;  $V_{CC} = 4.5$  to  $5.5\text{V}$  or  $3.0$  to  $3.6\text{V}$  (except where noted).  
 2.  $C_L = 5\text{pF}$  (see Figure 5).  
 3.  $t_{R1HRZ}$  or  $t_{R2HRZ} = 20\text{ms}$  for industrial temperature Grade 6 device.

### Calibrating the Clock

The M48T201Y/V is driven by a quartz controlled oscillator with a nominal frequency of 32,768Hz. The devices are factory calibrated at 25°C and tested for accuracy. Clock accuracy will not exceed  $\pm 35$  ppm (parts per million) oscillator frequency error at 25°C, which equates to about  $\pm 1.53$  minutes per month. When the Calibration circuit is properly employed, accuracy improves to better than  $+1/-2$  ppm at 25°C.

The oscillation rate of crystals changes with temperature (see Figure 13, page 25). The M48T201Y/V design employs periodic counter correction. The calibration circuit adds or subtracts counts from the oscillator divider circuit at the divide by 256 stage, as shown in Figure 14, page 25.

The number of times pulses which are blanked (subtracted, negative calibration) or split (added, positive calibration) depends upon the value loaded into the five Calibration bits found in the Control Register. Adding counts speeds the clock up, subtracting counts slows the clock down.

The Calibration bits occupy the five lower order bits (D4-D0) in the Control Register 7FFF8h. These bits can be set to represent any value between 0 and 31 in binary form. Bit D5 is a Sign Bit; '1' indicates positive calibration, '0' indicates negative calibration. Calibration occurs within a 64 minute cycle. The first 62 minutes in the cycle may, once per minute, have one second either shortened by 128 or lengthened by 256 oscillator cycles. If a binary '1' is loaded into the register, only the first 2 minutes in the 64 minute cycle will be modified; if a binary 6 is loaded, the first 12 will be affected, and so on.

Therefore, each calibration step has the effect of adding 512 or subtracting 256 oscillator cycles for every 125,829,120 actual oscillator cycles, that is  $+4.068$  or  $-2.034$  ppm of adjustment per calibration step in the calibration register. Assuming that the oscillator is running at exactly 32,768Hz, each of the 31 increments in the Calibration byte would represent  $+10.7$  or  $-5.35$  seconds per month

which corresponds to a total range of  $+5.5$  or  $-2.75$  minutes per month.

Two methods are available for ascertaining how much calibration a given M48T201Y/V may require. The first involves setting the clock, letting it run for a month and comparing it to a known accurate reference and recording deviation over a fixed period of time. Calibration values, including the number of seconds lost or gained in a given period, can be found in the STMicroelectronics Application Note AN934, "TIMEKEEPER® CALIBRATION." This allows the designer to give the end user the ability to calibrate the clock as the environment requires, even if the final product is packaged in a non-user serviceable enclosure. The designer could provide a simple utility that accesses the Calibration byte.

The second approach is better suited to a manufacturing environment, and involves the use of the  $\overline{\text{IRQ}}/\text{FT}$  pin. The pin will toggle at 512Hz, when the Stop Bit (ST, D7 of 7FFF9h) is '0,' the Frequency Test Bit (FT, D6 of 7FFFCh) is '1,' the Alarm Flag Enable Bit (AFE, D7 of 7FFF6h) is '0,' and the Watchdog Steering Bit (WDS, D7 of 7FFF7h) is '1' or the Watchdog Register (7FFF7h=0) is reset.

**Note:** A 4-second settling time must be allowed before reading the 512Hz output.

Any deviation from 512Hz indicates the degree and direction of oscillator frequency shift at the test temperature. For example, a reading of 512.010124Hz would indicate a  $+20$  ppm oscillator frequency error, requiring a  $-10$  (WR001010) to be loaded into the Calibration Byte for correction. Note that setting or changing the Calibration Byte does not affect the Frequency Test output frequency.

The  $\overline{\text{IRQ}}/\text{FT}$  pin is an open drain output which requires a pull-up resistor to  $V_{\text{CC}}$  for proper operation. A 500-10k $\Omega$  resistor is recommended in order to control the rise time. The FT Bit is cleared on power-down.

**Battery Low Warning**

The M48T201Y/V automatically performs battery voltage monitoring upon power-up and at factory-programmed time intervals of approximately 24 hours. The Battery Low (BL) Bit, Bit D4 of Flags Register 7FFF0h, will be asserted if the battery voltage is found to be less than approximately 2.5V. The BL Bit will remain asserted until completion of battery replacement and subsequent battery low monitoring tests, either during the next power-up sequence or the next scheduled 24-hour interval.

If a battery low is generated during a power-up sequence, this indicates that the battery is below approximately 2.5V and may not be able to maintain data integrity in the SRAM. Data should be considered suspect and verified as correct. A fresh battery should be installed.

If a battery low indication is generated during the 24-hour interval check, this indicates that the battery is near end of life. However, data is not compromised due to the fact that a nominal V<sub>CC</sub> is supplied. In order to insure data integrity during

subsequent periods of battery back-up mode, the battery should be replaced. The SNAPHAT<sup>®</sup> top may be replaced while V<sub>CC</sub> is applied to the device.

**Note:** This will cause the clock to lose time during the interval the battery/crystal is removed.

The M48T201Y/V only monitors the battery when a nominal V<sub>CC</sub> is applied to the device. Thus applications which require extensive durations in the battery back-up mode should be powered-up periodically (at least once every few months) in order for this technique to be beneficial. Additionally, if a battery low is indicated, data integrity should be verified upon power-up via a checksum or other technique.

**Initial Power-on Defaults**

Upon application of power to the device, the following register bits are set to a '0' state: WDS; BMB0-BMB4; RB0-RB1; AFE; ABE; SQWE; W; R; FT (see Table 14).

**Table 14. Default Values**

| Condition  | W | R | FT | AFE | ABE | SQWE | WATCHDOG Register <sup>(1)</sup> |
|--|---|---|----|-----|-----|------|----------------------------------|
| Initial Power-up (Battery Attach for SNAPHAT) <sup>(2)</sup> | 0 | 0 | 0  | 0   | 0   | 0    | 0                                |
| RESET <sup>(3)</sup>   | 0 | 0 | 0  | 0   | 0   | 0    | 0                                |
| Power-down <sup>(4)</sup>                                    | 0 | 0 | 0  | 1   | 1   | 1    | 0                                |

- Note: 1. WDS, BMB0-BMB4, RB0, RB1.  
 2. State of other control bits undefined.  
 3. State of other control bits remains unchanged.  
 4. Assuming these bits set to '1' prior to power-down.





Figure 13. Crystal Accuracy Across Temperature

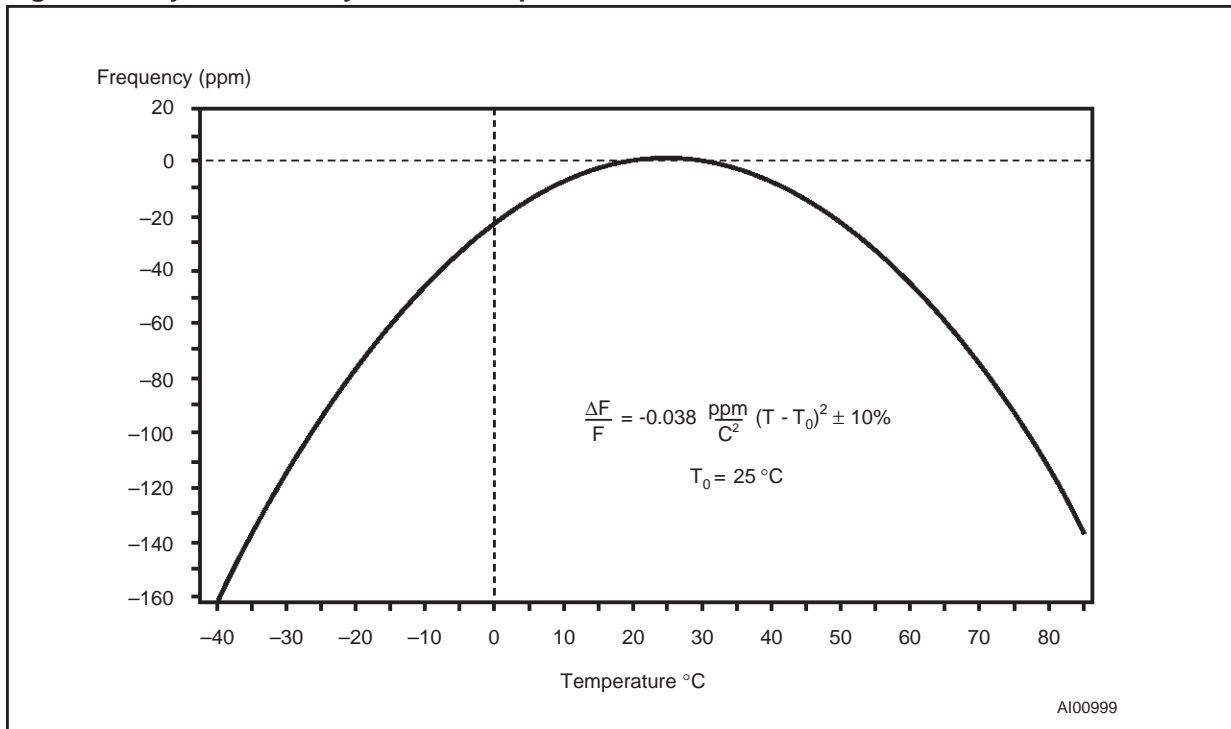
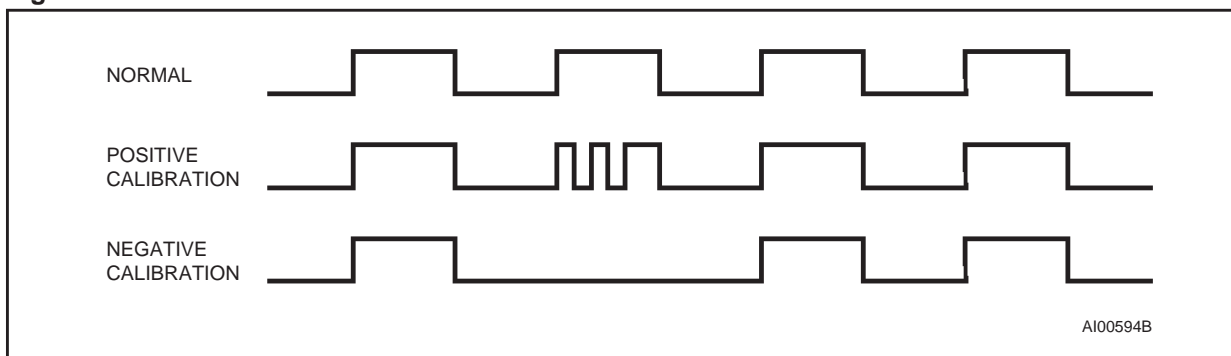


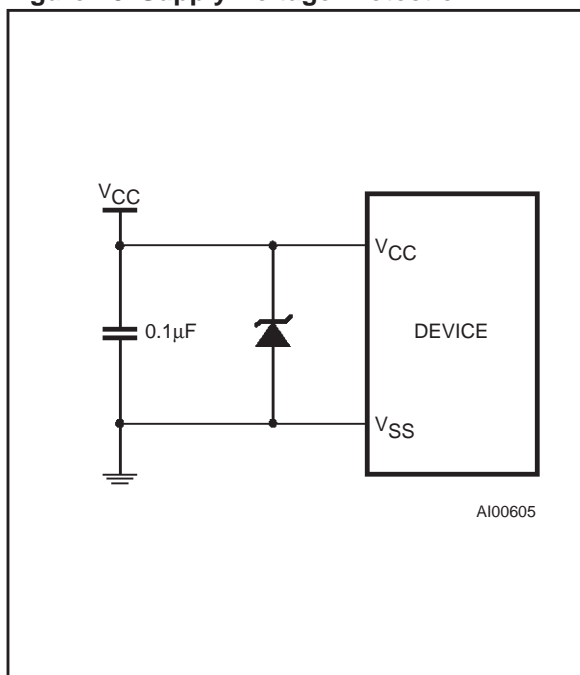
Figure 14. Calibration Waveform



**V<sub>CC</sub> Noise And Negative Going Transients**

I<sub>CC</sub> transients, including those produced by output switching, can produce voltage fluctuations, resulting in spikes on the V<sub>CC</sub> bus. These transients can be reduced if capacitors are used to store energy which stabilizes the V<sub>CC</sub> bus. The energy stored in the bypass capacitors will be released as low going spikes are generated or energy will be absorbed when overshoots occur. A ceramic bypass capacitor value of 0.1μF (as shown in Figure 15) is recommended in order to provide the needed filtering.

In addition to transients that are caused by normal SRAM operation, power cycling can generate negative voltage spikes on V<sub>CC</sub> that drive it to values below V<sub>SS</sub> by as much as one volt. These negative spikes can cause data corruption in the SRAM while in battery backup mode. To protect from these voltage spikes, STMicroelectronics recommends connecting a schottky diode from V<sub>CC</sub> to V<sub>SS</sub> (cathode connected to V<sub>CC</sub>, anode to V<sub>SS</sub>). Schottky diode 1N5817 is recommended for through hole and MBR5120T3 is recommended for surface mount.

**Figure 15. Supply Voltage Protection**

**PART NUMBERING**

**Table 15. Ordering Information Example**

|  |      |      |     |    |   |    |
|--|------|------|-----|----|---|----|
| Example:   | M48T | 201Y | -70 | MH | 1 | TR |
| <b>Device Type</b>   |      |      |     |    |   |    |
| M48T   |      |      |     |    |   |    |
| <b>Supply and Write Protect Voltage</b>                      |      |      |     |    |   |    |
| 201Y = $V_{CC} = 4.5$ to $5.5V$ ; $V_{PFD} = 4.1V$ to $4.5V$ |      |      |     |    |   |    |
| 201V = $V_{CC} = 3.0$ to $3.6V$ ; $V_{PFD} = 2.7V$ to $3.0V$ |      |      |     |    |   |    |
| <b>Speed</b>   |      |      |     |    |   |    |
| -70 = 70ns (for M48T201Y)                                    |      |      |     |    |   |    |
| -85 = 85ns (for M48T201V)                                    |      |      |     |    |   |    |
| <b>Package</b>   |      |      |     |    |   |    |
| MH <sup>(1)</sup> = SOH44                                    |      |      |     |    |   |    |
| <b>Temperature Range</b>                                     |      |      |     |    |   |    |
| 1 = 0 to 70°C  |      |      |     |    |   |    |
| 6 = -40 to 85°C  |      |      |     |    |   |    |
| <b>Shipping Method for SOIC</b>                              |      |      |     |    |   |    |
| blank = Tubes  |      |      |     |    |   |    |
| TR = Tape & Reel   |      |      |     |    |   |    |

Note: 1. The SOIC package (SOH44) requires the battery package (SNAPHAT<sup>®</sup>) which is ordered separately under the part number "M4Txx-BR12SH" in plastic tube or "M4Txx-BR12SHTR" in Tape & Reel form.

**Caution:** Do not place the SNAPHAT battery package "M4Txx-BR12SH" in conductive foam as it will drain the lithium button-cell battery.

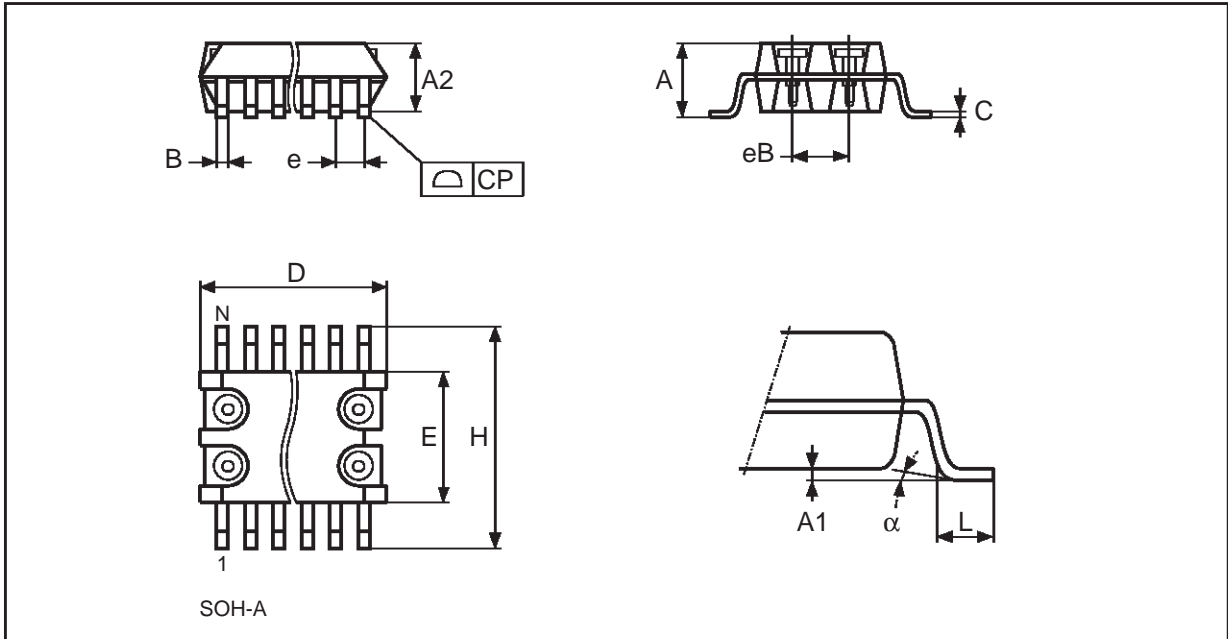
For a list of available options (e.g., Speed, Package) or for further information on any aspect of this device, please contact the ST Sales Office nearest to you.

**Table 16. SNAPHAT<sup>®</sup> Battery Table**

| Part Number  | Description                      | Package |
|--------------|----------------------------------|---------|
| M4T28-BR12SH | Lithium Battery (48mAh) SNAPHAT  | SH      |
| M4T32-BR12SH | Lithium Battery (120mAh) SNAPHAT | SH      |

PACKAGE MECHANICAL INFORMATION

Figure 16. SOH44 – 44-lead Plastic Small Outline, SNAPHAT, Package Outline

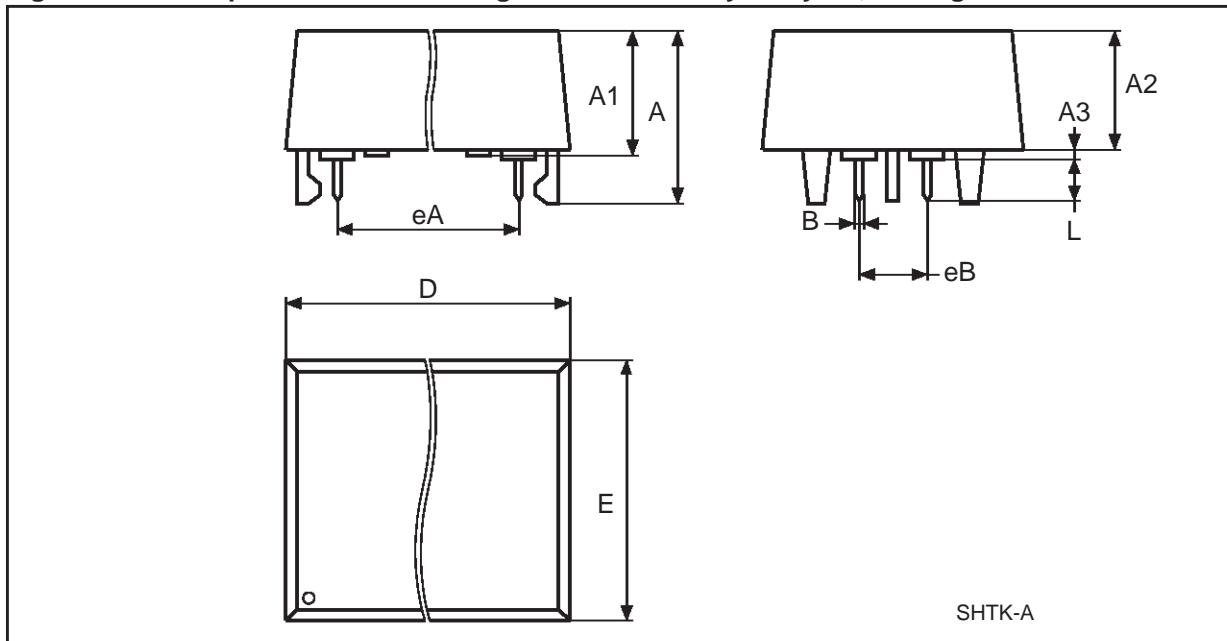


Note: Drawing is not to scale.

Table 17. SOH44 – 44-lead Plastic Small Outline, SNAPHAT, Package Mechanical Data

| Symb  | mm   |       |       | inches |       |       |
|-------|------|-------|-------|--------|-------|-------|
|       | Typ  | Min   | Max   | Typ    | Min   | Max   |
| A     |      |       | 3.05  |        |       | 0.120 |
| A1    |      | 0.05  | 0.36  |        | 0.002 | 0.014 |
| A2    |      | 2.34  | 2.69  |        | 0.092 | 0.106 |
| B     |      | 0.36  | 0.46  |        | 0.014 | 0.018 |
| C     |      | 0.15  | 0.32  |        | 0.006 | 0.012 |
| D     |      | 17.71 | 18.49 |        | 0.697 | 0.728 |
| E     |      | 8.23  | 8.89  |        | 0.324 | 0.350 |
| e     | 0.81 | –     | –     | 0.032  | –     | –     |
| eB    |      | 3.20  | 3.61  |        | 0.126 | 0.142 |
| H     |      | 11.51 | 12.70 |        | 0.453 | 0.500 |
| L     |      | 0.41  | 1.27  |        | 0.016 | 0.050 |
| alpha |      | 0°    | 8°    |        | 0°    | 8°    |
| N     | 44   |       |       | 44     |       |       |
| CP    |      |       | 0.10  |        |       | 0.004 |

Figure 17. SH – 4-pin SNAPHAT Housing for 48mAh Battery &amp; Crystal, Package Outline

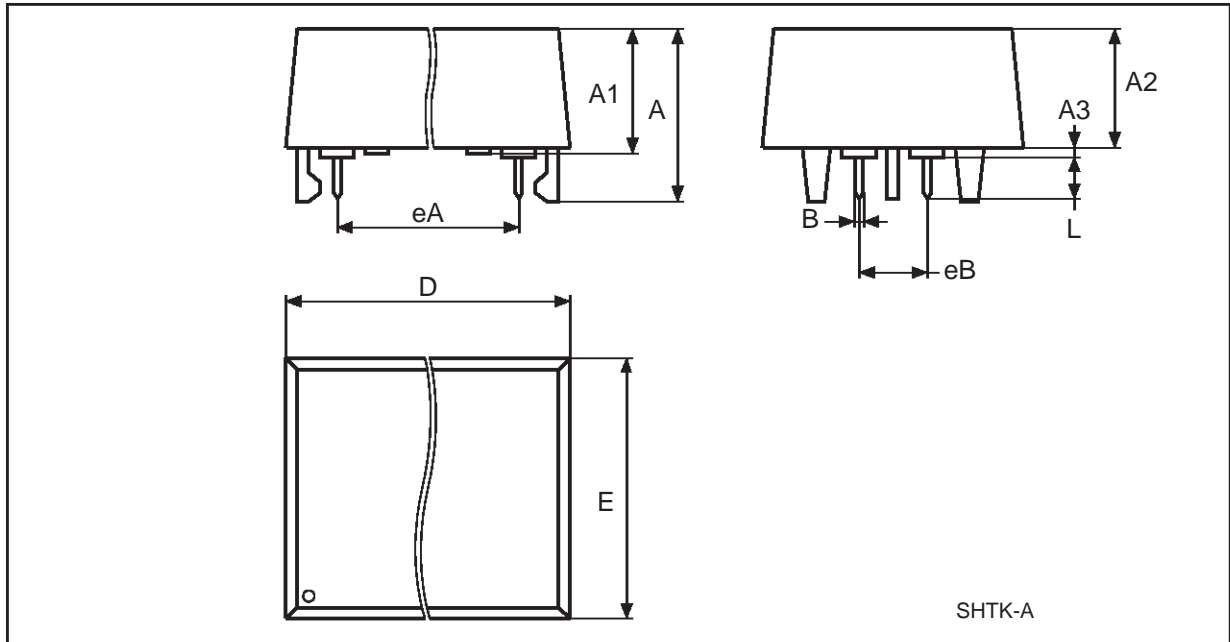


Note: Drawing is not to scale.

Table 18. SH – 4-pin SNAPHAT Housing for 48mAh Battery &amp; Crystal, Package Mechanical Data

| Symb | mm  |       |       | inches |       |       |
|------|-----|-------|-------|--------|-------|-------|
|      | Typ | Min   | Max   | Typ    | Min   | Max   |
| A    |     |       | 9.78  |        |       | 0.385 |
| A1   |     | 6.73  | 7.24  |        | 0.265 | 0.285 |
| A2   |     | 6.48  | 6.99  |        | 0.255 | 0.275 |
| A3   |     |       | 0.38  |        |       | 0.015 |
| B    |     | 0.46  | 0.56  |        | 0.018 | 0.022 |
| D    |     | 21.21 | 21.84 |        | 0.835 | 0.860 |
| E    |     | 14.22 | 14.99 |        | 0.560 | 0.590 |
| eA   |     | 15.55 | 15.95 |        | 0.612 | 0.628 |
| eB   |     | 3.20  | 3.61  |        | 0.126 | 0.142 |
| L    |     | 2.03  | 2.29  |        | 0.080 | 0.090 |

Figure 18. SH – 4-pin SNAPHAT Housing for 120mAh Battery & Crystal, Package Outline



Note: Drawing is not to scale.

Table 19. SH – 4-pin SNAPHAT Housing for 120mAh Battery & Crystal, Package Mechanical Data

| Symb | mm  |       |       | inches |       |       |
|------|-----|-------|-------|--------|-------|-------|
|      | Typ | Min   | Max   | Typ    | Min   | Max   |
| A    |     |       | 10.54 |        |       | 0.415 |
| A1   |     | 8.00  | 8.51  |        | 0.315 | .0335 |
| A2   |     | 7.24  | 8.00  |        | 0.285 | 0.315 |
| A3   |     |       | 0.38  |        |       | 0.015 |
| B    |     | 0.46  | 0.56  |        | 0.018 | 0.022 |
| D    |     | 21.21 | 21.84 |        | 0.835 | 0.860 |
| E    |     | 17.27 | 18.03 |        | 0.680 | .0710 |
| eA   |     | 15.55 | 15.95 |        | 0.612 | 0.628 |
| eB   |     | 3.20  | 3.61  |        | 0.126 | 0.142 |
| L    |     | 2.03  | 2.29  |        | 0.080 | 0.090 |

**REVISION HISTORY****Table 20. Document Revision History**

| Date          | Revision Details   |
|---------------|--|
| November 1999 | First Issue  |
| 05/10/01      | Reformatted; added Industrial temperature (Table 2, 5, 7, 8, 9)                        |
| 05/14/01      | Corrected table footnote (Table 9)   |
| 05/30/01      | Change "Controller" references to "SUPERVISOR"   |
| 08/01/01      | Formatting changes from recent document review findings; E2 added to Hookup (Figure 4) |
| 08/08/01      | Improve text in "Setting the Alarm Clock" section                                      |
| 12/18/01      | Added IBAT values for Industrial Temperature device (Table 5)                          |
| 05/13/02      | Modify reflow time and temperature footnote (Table 2)                                  |

Information furnished is believed to be accurate and reliable. However, STMicroelectronics assumes no responsibility for the consequences of use of such information nor for any infringement of patents or other rights of third parties which may result from its use. No license is granted by implication or otherwise under any patent or patent rights of STMicroelectronics. Specifications mentioned in this publication are subject to change without notice. This publication supersedes and replaces all information previously supplied. STMicroelectronics products are not authorized for use as critical components in life support devices or systems without express written approval of STMicroelectronics.

The ST logo is registered trademark of STMicroelectronics  
All other names are the property of their respective owners.

© 2002 STMicroelectronics - All Rights Reserved

STMicroelectronics GROUP OF COMPANIES  
Australia - Brazil - Canada - China - Finland - France - Germany - Hong Kong - India - Israel - Italy - Japan - Malaysia -  
Malta - Morocco - Singapore - Spain - Sweden - Switzerland - United Kingdom - U.S.A.

[www.st.com](http://www.st.com)